

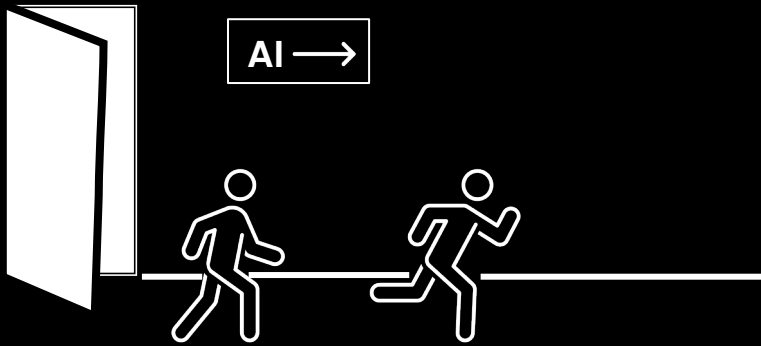


# 6G for All : NXP Programmable Baseband and SDR Architectures for Next Generation Development

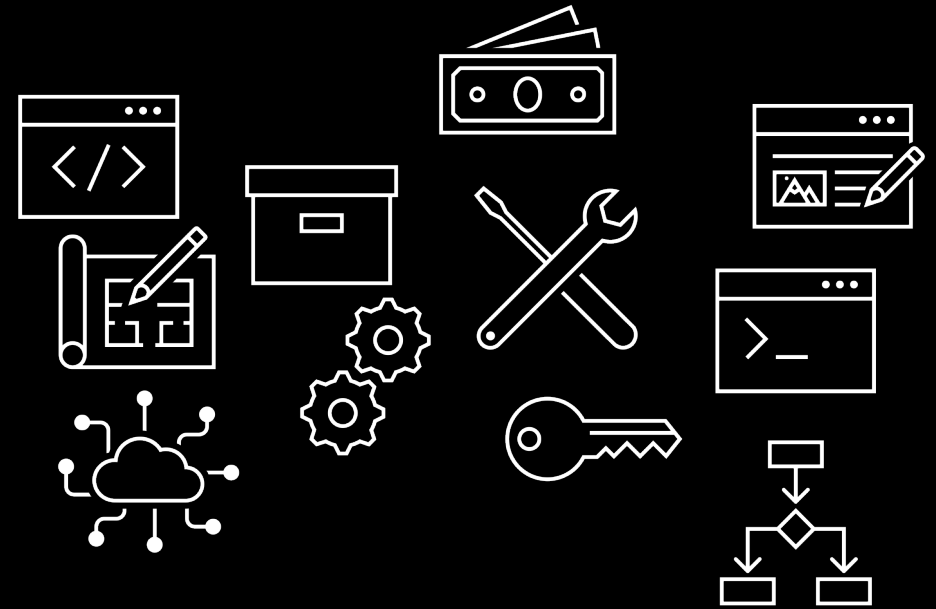
**Harsha Master**

Principal Systems Architect, CTO/System Innovation

NXP Semiconductors

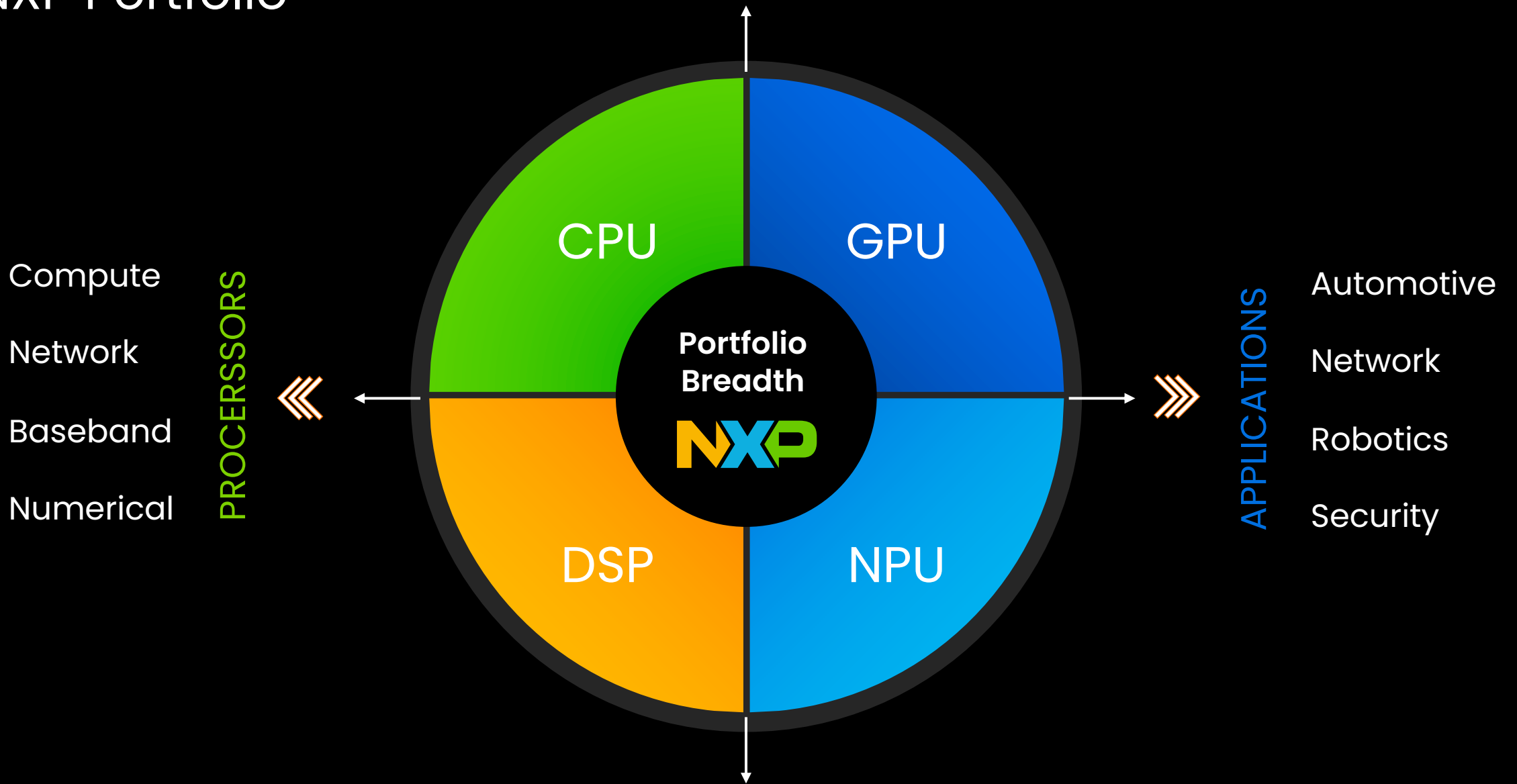


It is fair, we are racing toward AI



AI @ EDGE  
Smart Devices

# NXP Portfolio



# Choose it right ...



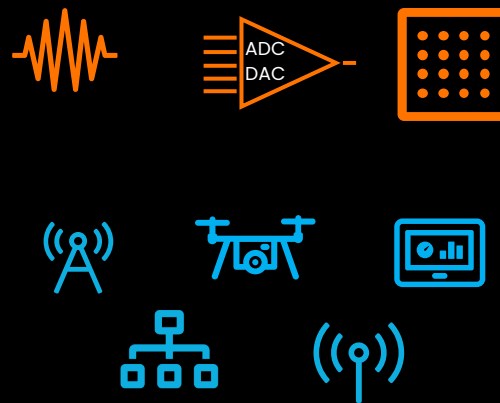
COMPUTE



BASEBAND



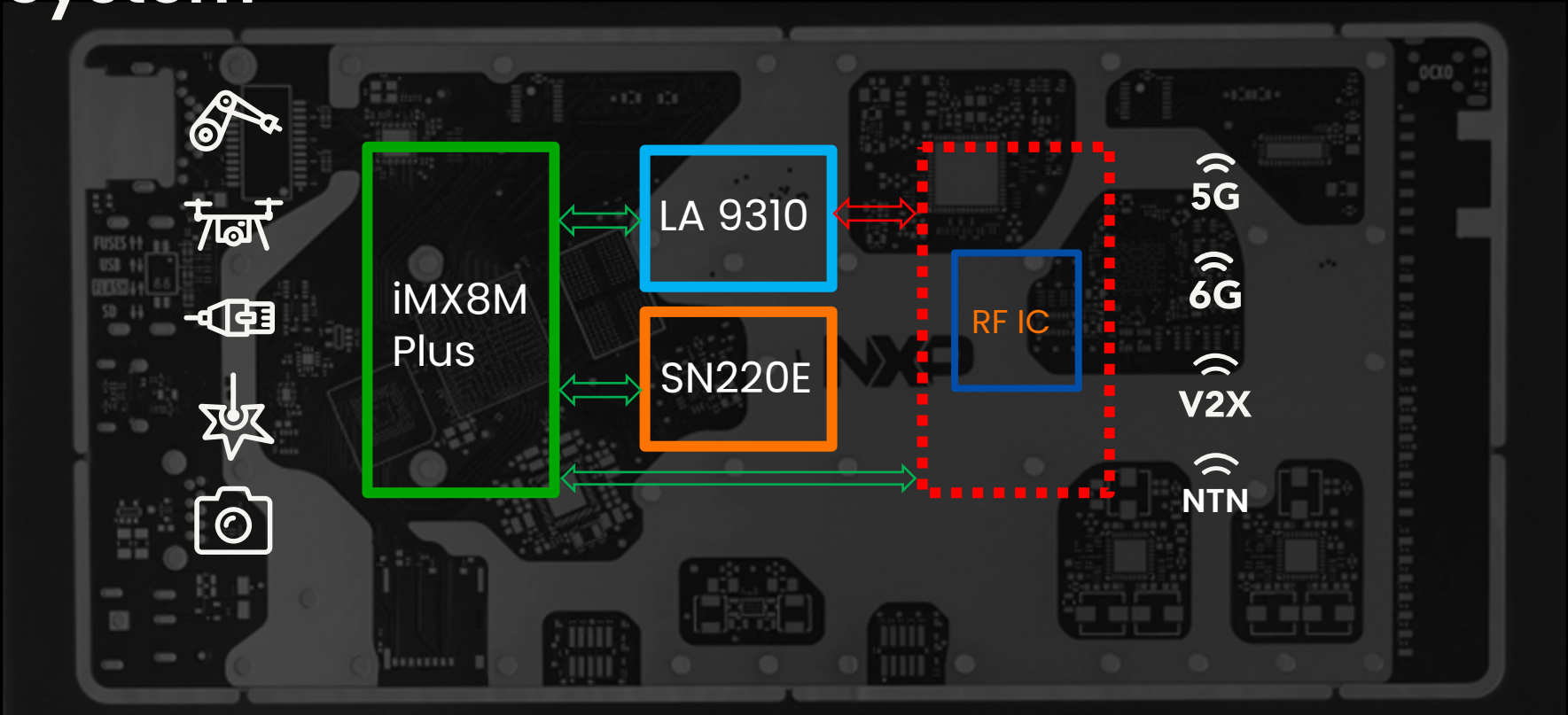
SECURE



NFC, SE, eUICC



# Flexible System



## Versatility

What and where changes are possible

Software

Middleware

Hardware

Software Applications

DSP Program

RF options

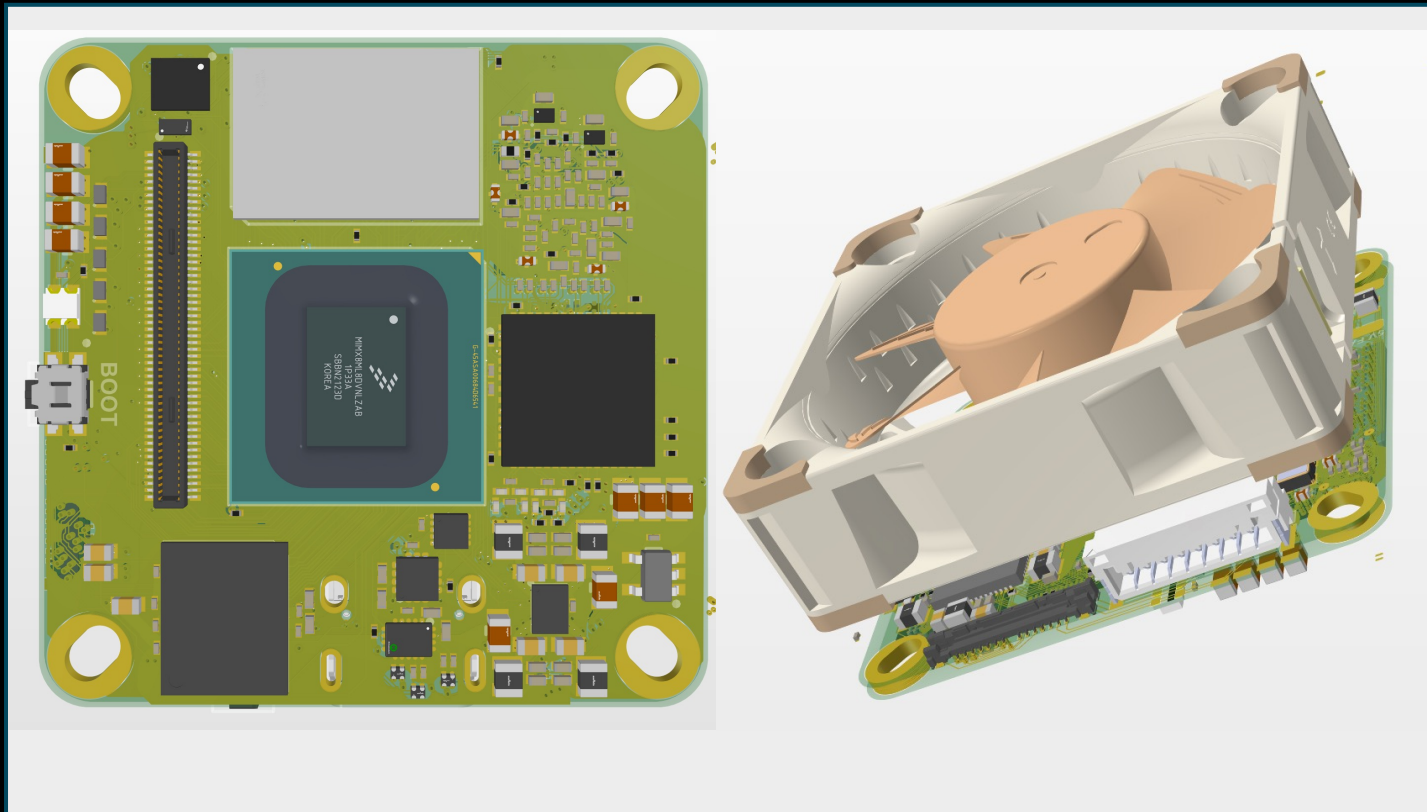
# Long Term Innovation SDR/AI Platform



NXP Processor iMX8M Plus  
NXP Baseband LA9310  
NXP eSIM/UICC SN220E  
NXP Temp Sensor  
NXP PMIC  
Metanoia RFIC –MT3812  
Size **20 x 10 x 1.2 cms**

**AVAILABLE on**  
Web shop <https://rfnm.io>

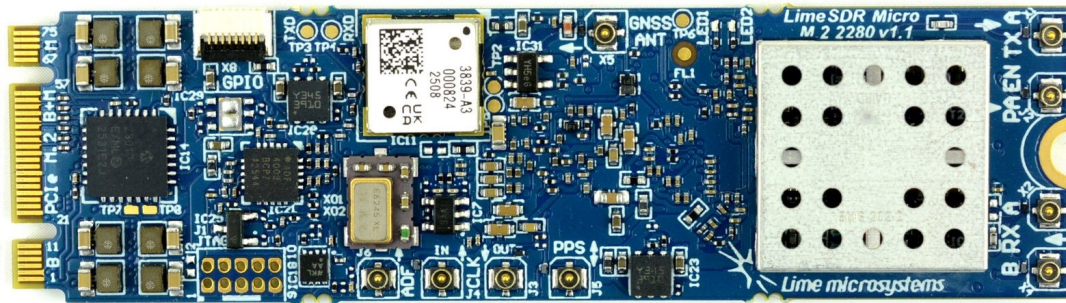
# Seeve Platform



NXP Processor iMX8M Plus  
NXP Baseband LA9310  
NXP eSIM/UICC SN220E  
NXP Gyro/Temp Sensor  
NXP PMIC  
Metanoia RFIC –MT3812  
- **Size** 40 mm x 40 mm

**AVAILABLE on**  
Web shop <https://rfnm.io>

# LimeSDR Micro



NXP Baseband LA9310

Lime RFIC –MT3812

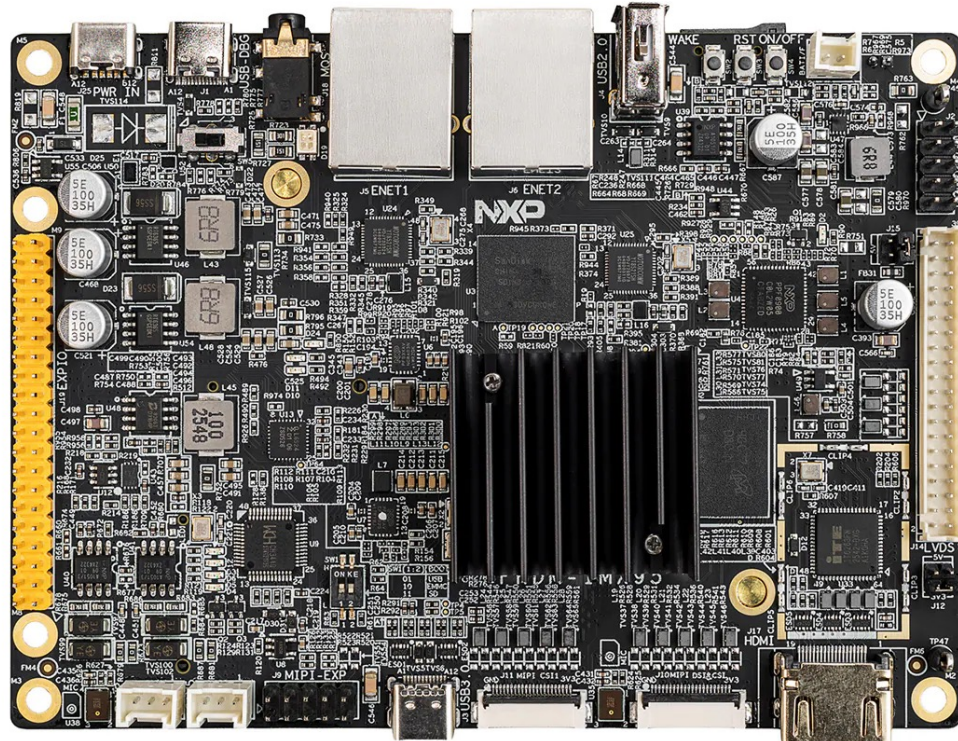
- **Size M.2 B+M**

Software Define Radio

- Amateur Radio
- UE to gNB
- M.2 Plug & Play
- Community
- Software Suite

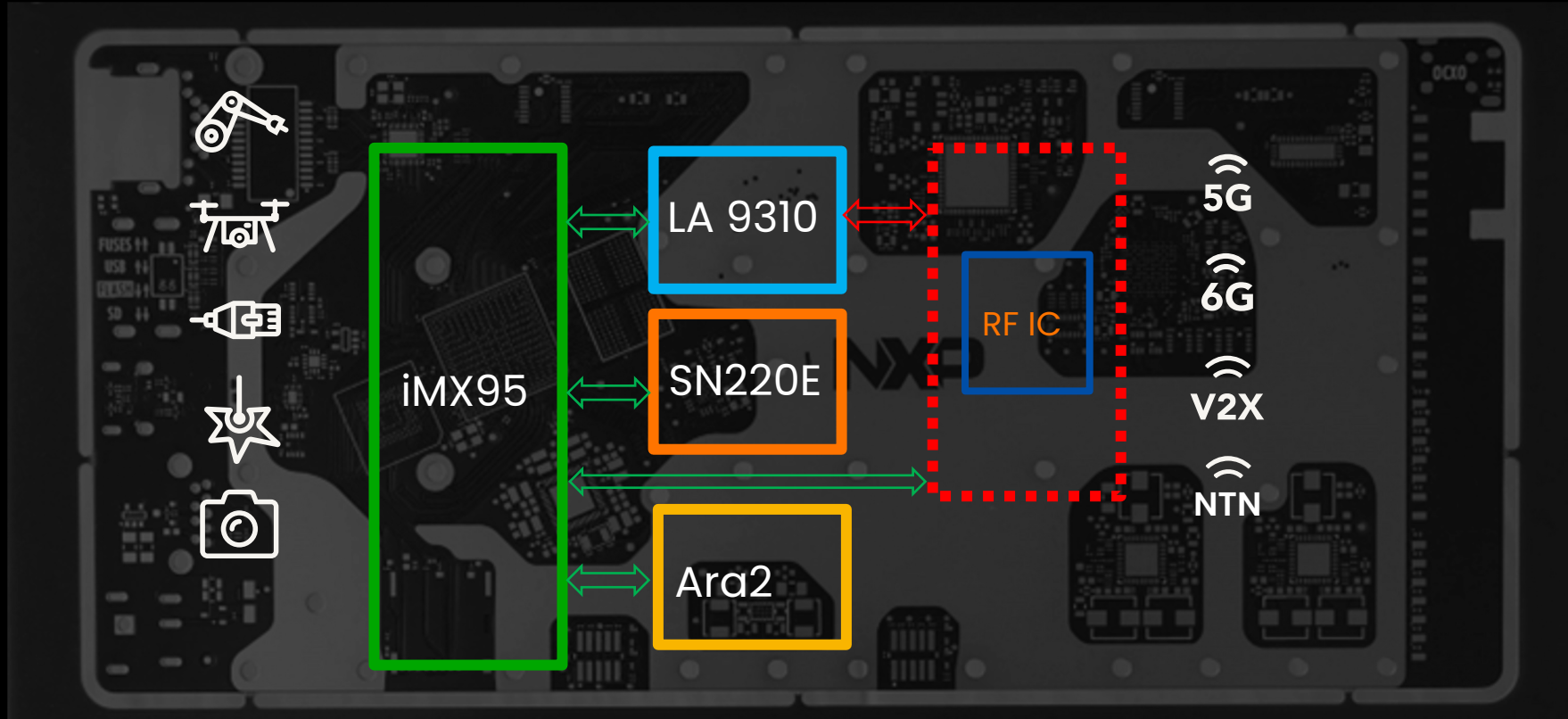
**AVAILABLE on**  
Web shop <https://limemicro.com/>

# NXP AI Silicon – AR2



iMX95FRDM + NXP Ara240 dNPU + LimeMicro SDR

# Flexible System - Reimagined



## Versatility

What and where changes are possible

Software

Middleware

Hardware



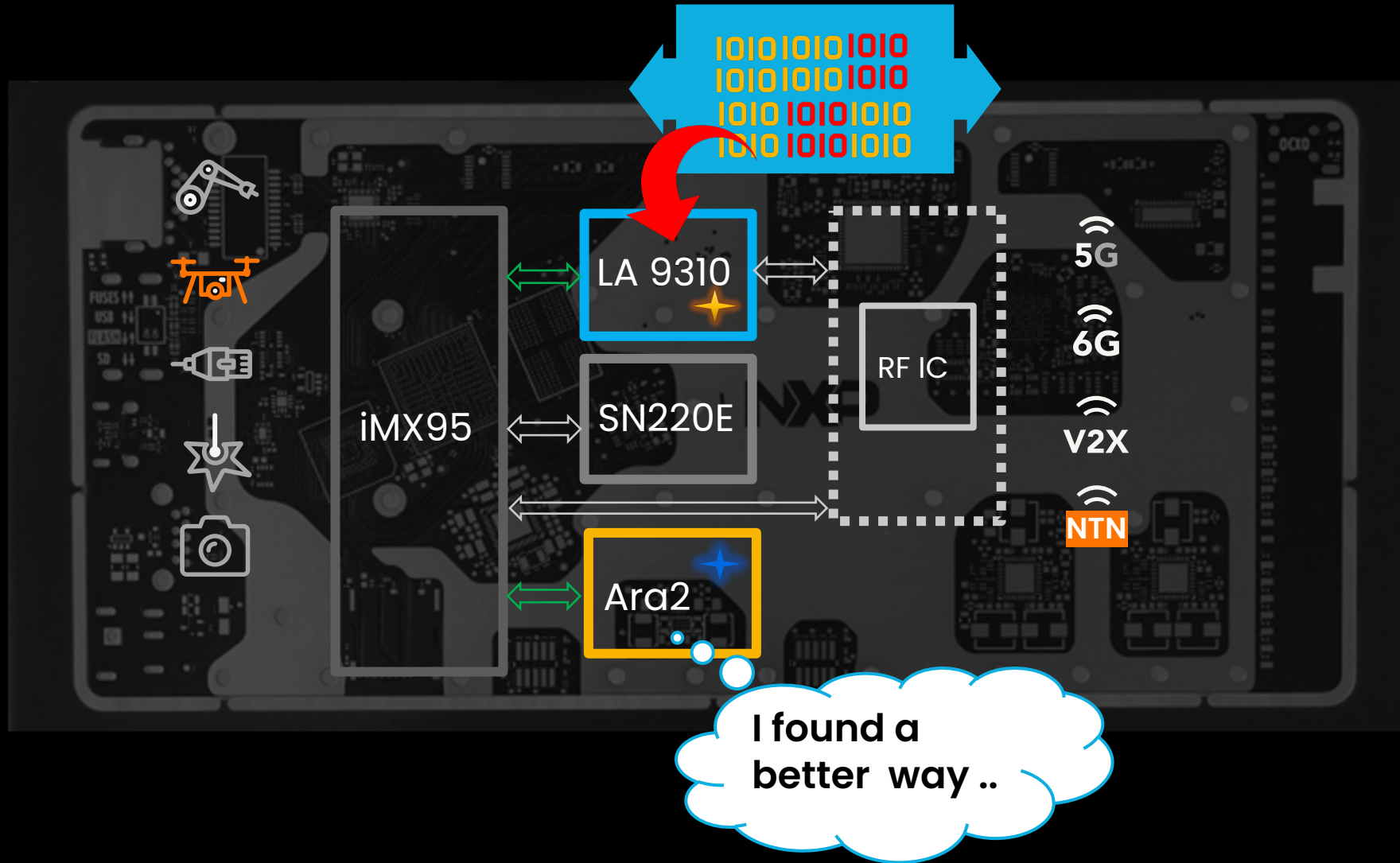
OpenAirInterface



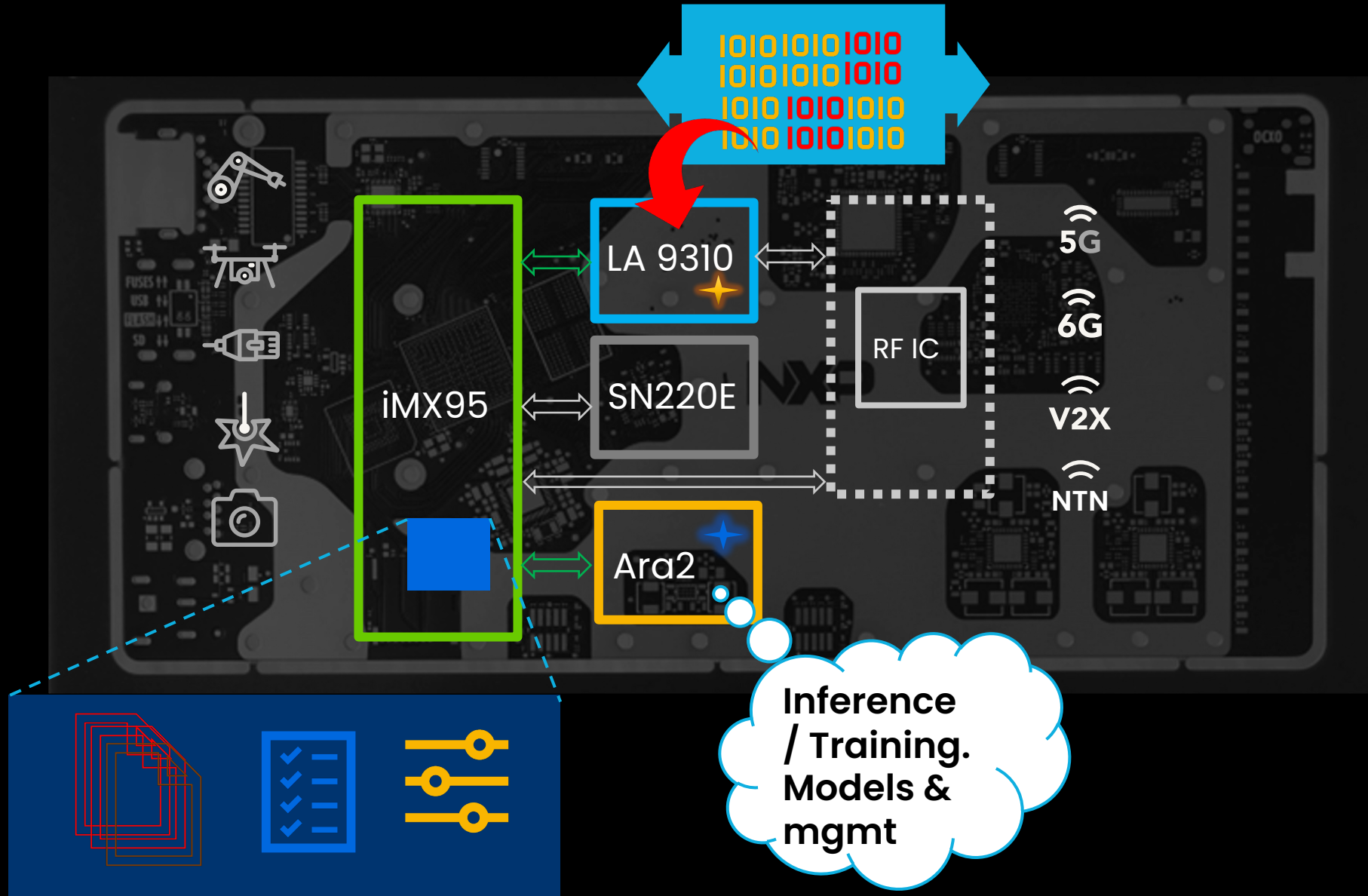
RF options

+ NXP Opensource

# AI – (re)coding



# AI/ML @ Edge



More TOPS  $\neq$  More Value

Low Power is new Super Power

Choosing the right device for the right task

Opensource Communities in uncharted areas

Also follow us, NXP Robotics innovations



Brighter  
Together

[nxp.com](https://www.nxp.com)

| Internal | NXP and the NXP logo are trademarks of NXP B.V. All other product or service names are the property of their respective owners. © 2026 NXP B.V. Version 3.0.