

OpenAirInterface 5G Core Network: Status and Roadmap

Sagar ARORA, Raphaël DEFOSSEUX,
Lionel GAUTHIER, Rohan KHARADE,
Franck MESSAOUDI, Tien Thinh NGUYEN,
Stefan SPETTEL

OAI Hand-on Workshop, 24-25 May 2023



Outline

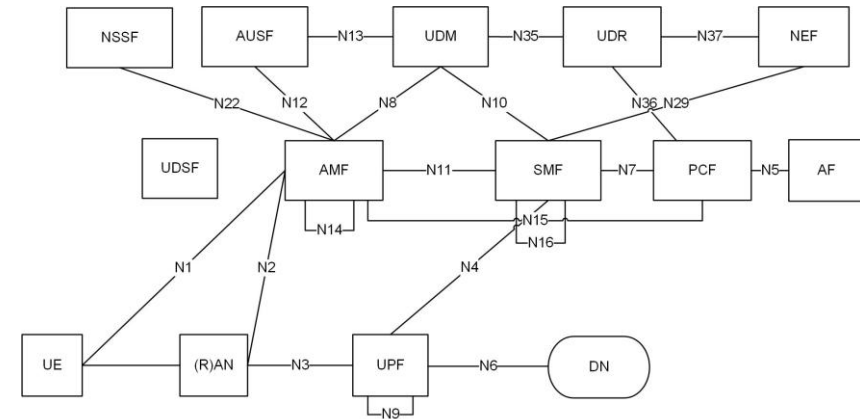
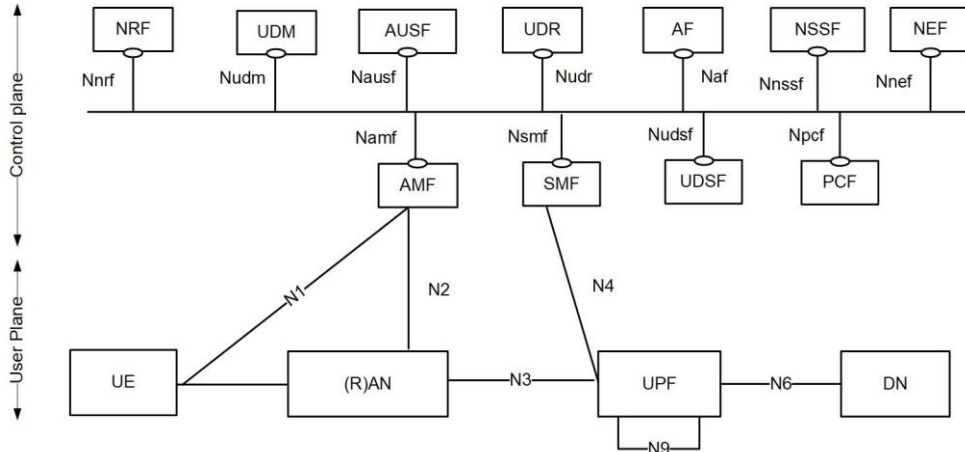
- Introduction of 5G System and OAI 5G CN project
- Current Implementation Status of OAI 5GC Components
- Roadmap

Outline

- Introduction of 5G System and OAI 5G CN project
- Current Implementation Status of OAI 5GC Components
- Roadmap

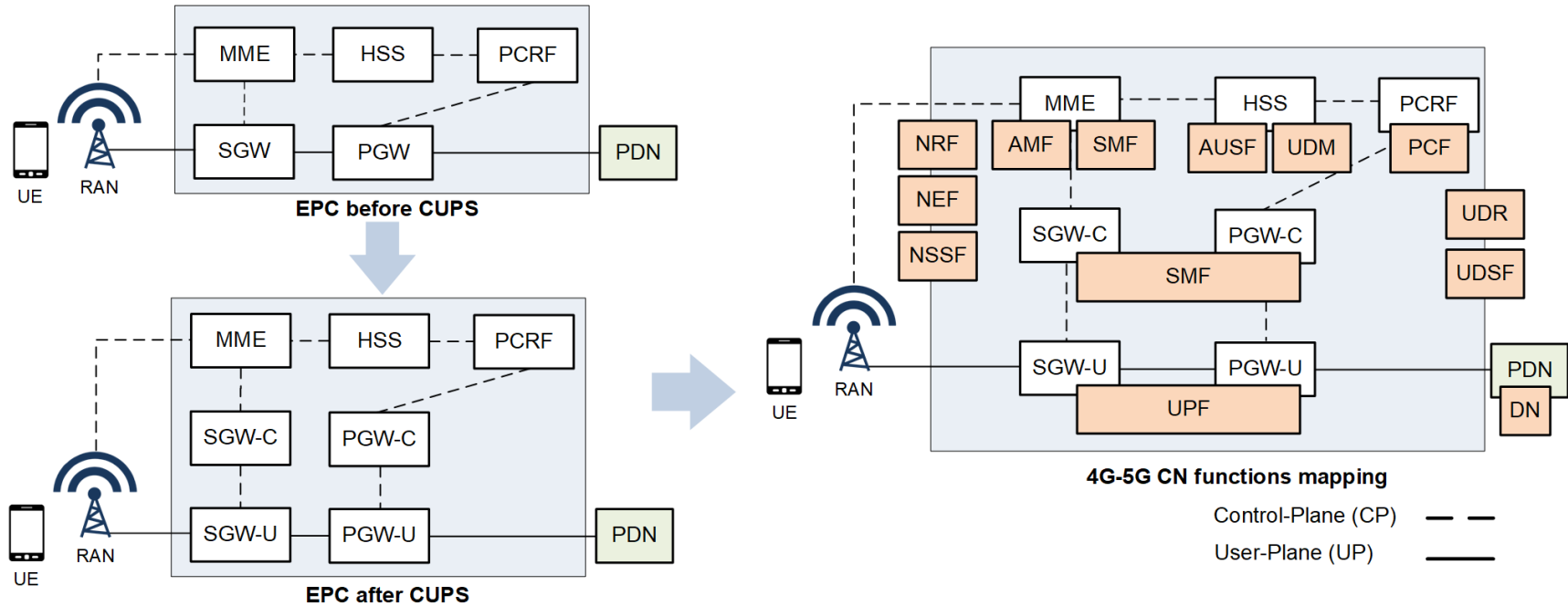
5G System Architecture

- Access and Mobility Management Function (AMF)
- Session Management Function (SMF)
- User plane function (UPF)
- Policy Control Function (PCF)
- Authentication Server Function (AUSF)
- Unified Data Management (UDM)
- Network Exposure function (NEF)
- NF Repository function (NRF)
- Network Slice Selection Function (NSSF)
- Unified Data Repository (UDR)
- Unstructured Data Storage Function (UDSF)
- Application Function (AF)



5G System Architecture (source: 3GPP TS23.501)

Core Network: From 4G to 5G Networks



CUPS: Control and User Plane Separation
 SGW: Serving Gateway
 PCRF: Policy and Charging Rules Function

MME: Mobility Management Entity
 HSS: Home Subscriber Server
 PGW: Packet Data Network (PDN) Gateway

OAI 5G CN Project Group

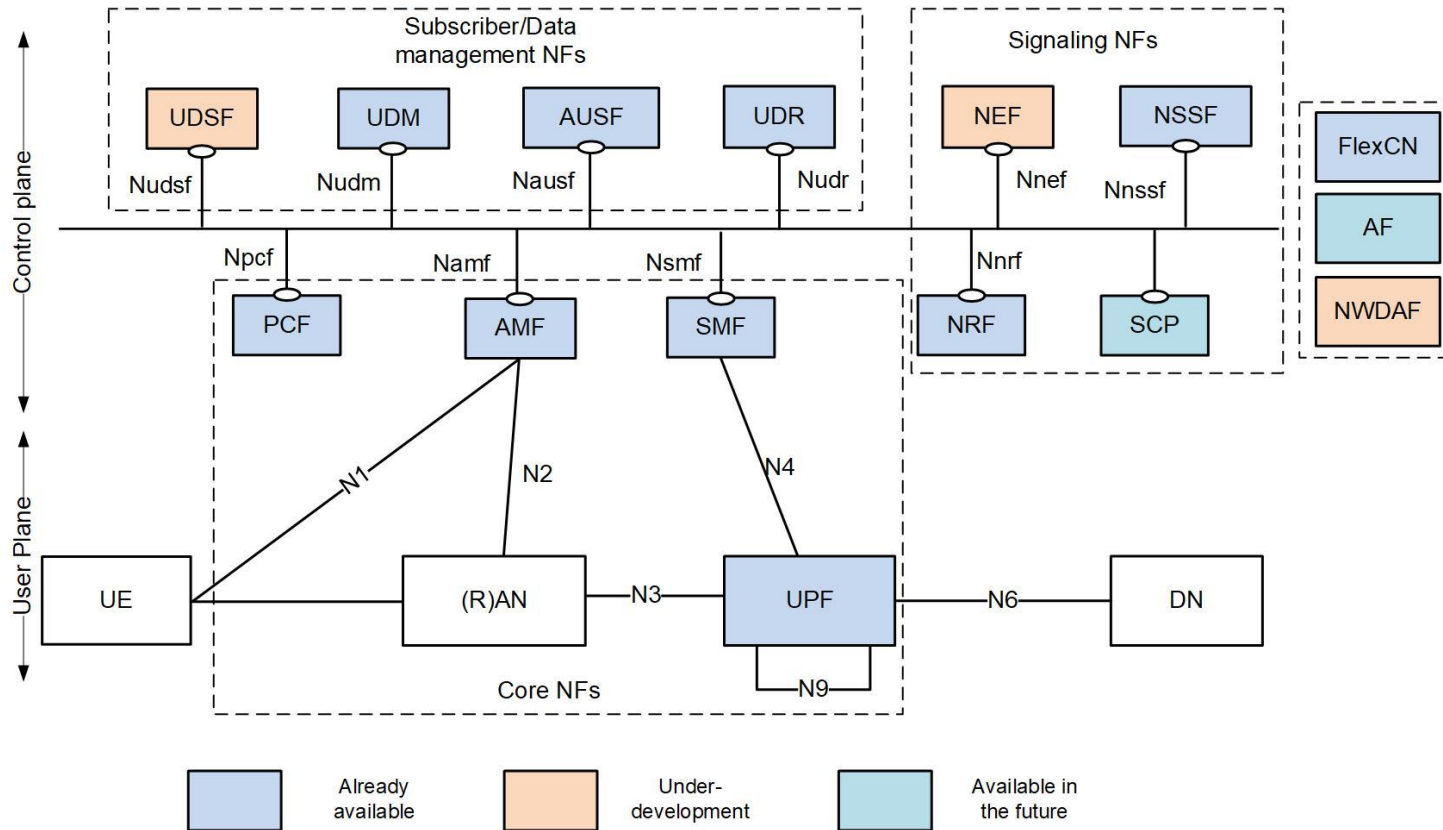
- Website: <https://openairinterface.org/oai-5g-core-network-project/>
- Develop a fully 3GPP compatible 5G CN stack (SA) as open source software for the OAI community
- Sponsors: **Qualcomm, InterDigital**
- Main contributors:
 - **EURECOM/OSA, BUPT, KCL, IITH**



Outline

- Introduction of 5G System and OAI 5G CN project
- **Current Implementation Status of OAI 5GC Components**
- Roadmap

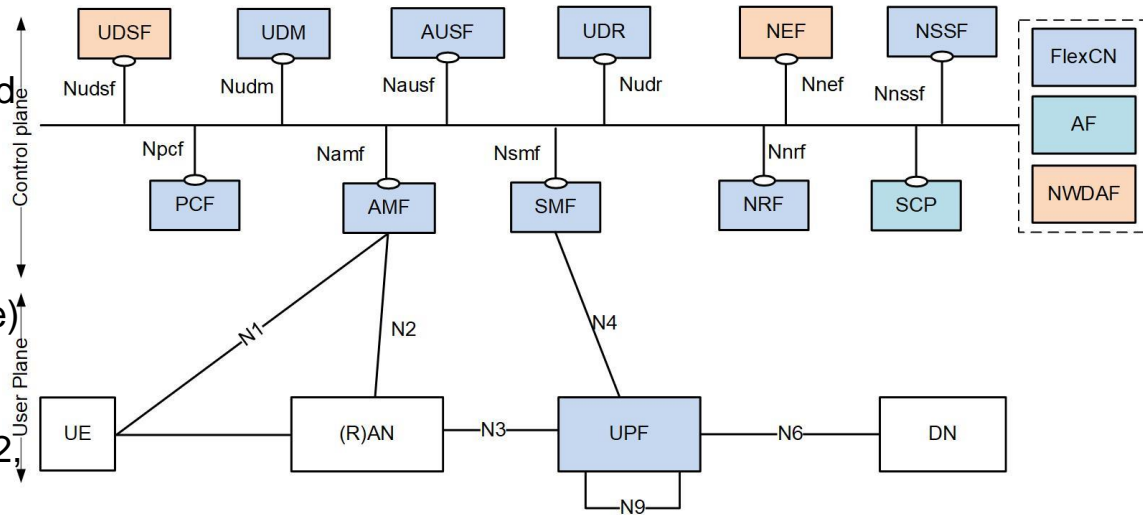
OAI 5G CN – Current Status (1): Release 1.5.1



OAI 5G CN – Current Status (2)

■ Solid and functional 5GC

- Basic procedures (with multiple UEs/PDU sessions): connection and registration procedures (UE registration/de-registration, service request), session management procedures (PDU session establishment, modification, release)
- Additional features:
 - NF registration, NF discovery
 - Support N2 handover, HTTP/2, and FQDN
 - Event exposure services for SMF (7 events), AMF (6 events), UDM/UDR (on-going)
 - Basic support for Private 5G network (Static UE IP address allocation, non-NATed IP traffic between UE and DN)
 - Support Network slicing with NSSF and multiple AMFs
 - Support of policy enforcement via PCF
 - Support multiple UPFs in the same data path/Support UL Classifier



NF: Network Function, FQDN: Fully Qualified Domain

Name

OAI 5G CN – Current Status (3)

▪ Different flavors

▪ Three 5GC modes

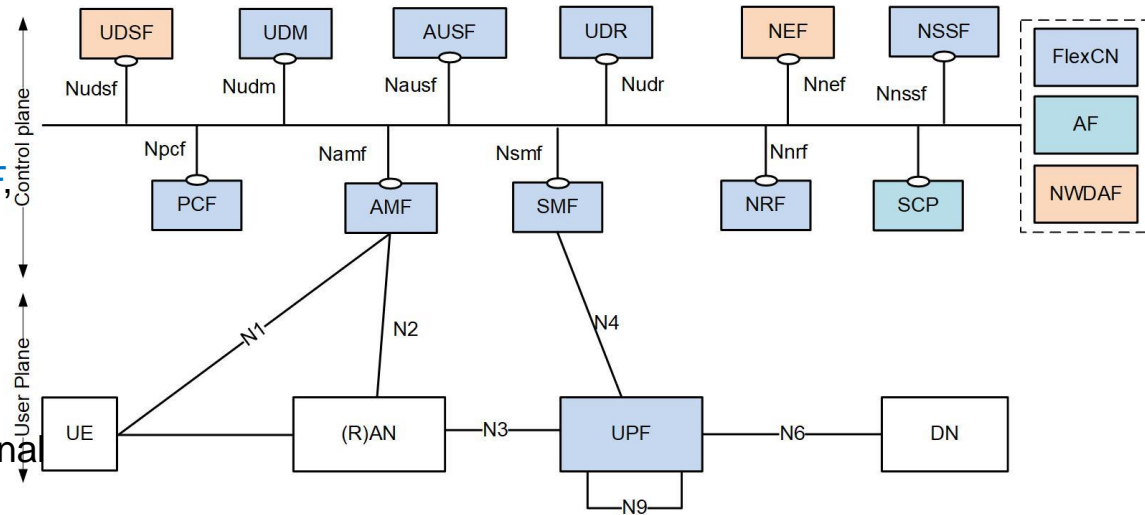
- Minimalist 5GC with **AMF**, **SMF**, **UPF** (and **NRF**)
- Basic 5GC with **AMF**, **SMF**, **NRF**, **UPF**, **UDM**, **AUSF** and **UDR**
- Full 5GC with **AMF**, **SMF**, **NRF**, **UPF**, **UDM**, **AUSF**, **UDR**, **PCF**, **NSSF** and **NEF**

▪ Four UPF flavors:

- SPGW-U (from 4G) with additional features for 5G
- VPP-UPF (relying on VPP-Travelling, with DPDK support)
- P4-UPF (SD-Fabric, on-going)
- eBPF/XDP (on-going)

▪ Deployment options

- Traditional/classic deployment on Servers/Virtual machines
- Automated deployment of NFs in Docker containers using Docker-Compose
- Cloud-native deployment using Helm Chart (on OpenShift cluster)



DPDK: Data Plane Development Kit
VPP: Vector Packet Processing

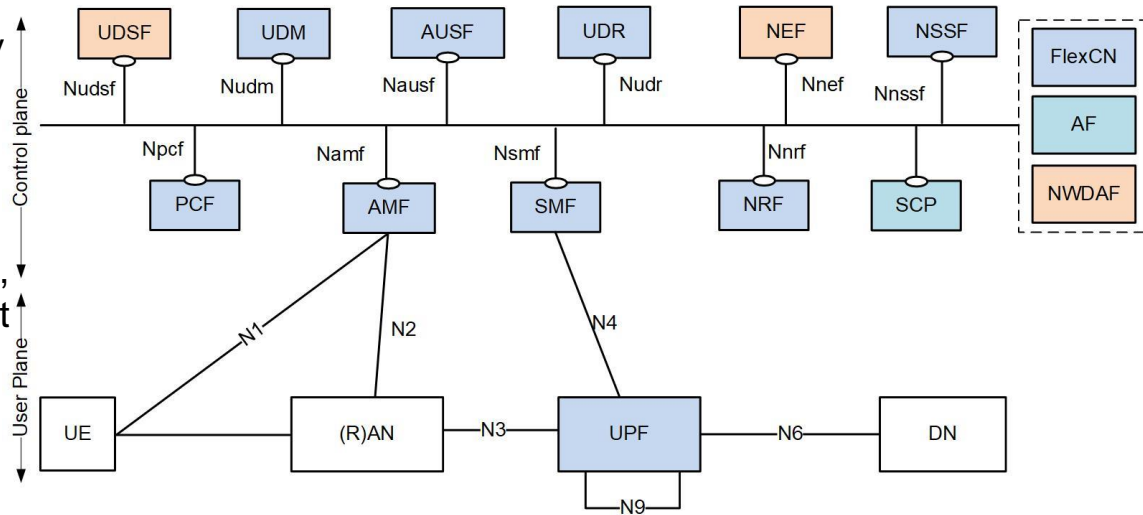
OAI 5G CN – Current Status (4)

Validation, CI/CD with

- Tester: Functional, stability, reliability and performance (support 5000+ UEs with traffic) tests
- OAI gNB/OAI UE, COTS UEs (**Rel 15** and **Rel 16** UEs e.g., Quectel/SIMcom modules, iPhone 14/14 Pro, Pixel 5/6, One Plus 8, etc), Amarisoft UE
- Open-source RAN simulators (gNBsim, UERANSIM, My5g-RANTester, Omec-gnbsim)
- Commercial gNBs (Amarisof/srsRAN/Baicell) with COTS UEs

Stabilize 5GCN and add user-friendly functionalities

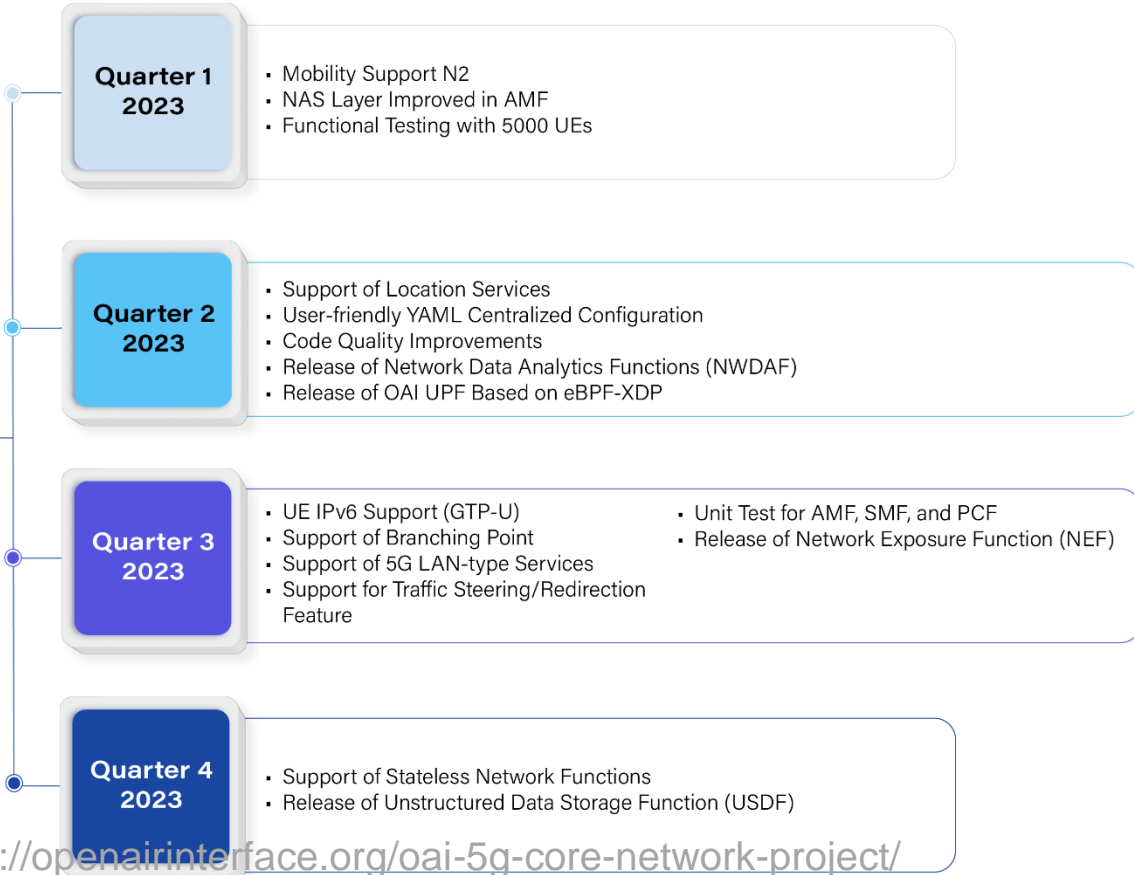
- Reduce image size, reduce CPU utilization footprint
- Code cleanup for NGAP/NAS libraries
- Provide customize APIs for User provisioning
- Provide customize APIs for configuring AMF/SMF/UDR on the fly (e.g., get/update configuration info)



Outline

- Introduction of 5G System and OAI 5G CN project
- Current Implementation Status of OAI 5GC Components
- Roadmap

OAI 5G CN – Roadmap



<https://openairinterface.org/oai-5g-core-network-project/>

OAI Hand-on Workshop, May 2022

Useful links

- Project website:
 - <https://openairinterface.org/oai-5g-core-network-project/>
- Git repositories
 - Federation of the OpenAir CN 5G repositories: <https://gitlab.eurecom.fr/oai/cn5g/oai-cn5g-fed>
 - 5GC network functions: <https://gitlab.eurecom.fr/oai/cn5g>
- Videos:
 - OAI 5G Core testing with commercial gNB and COTS UE: <https://www.youtube.com/watch?v=N5wuhh-1dxk&t=5s>
 - OAI 5G Core Network Deployment: <https://www.youtube.com/watch?v=ENQiwI2EYI8>
- List of COTS UEs tested with OAI CN
 - https://gitlab.eurecom.fr/oai/cn5g/oai-cn5g-fed/-/blob/master/docs/LIST_OF_TESTED_COTSUE.md

Thank you for your attention!

Q&A!