



Remotely accessible OAI workflows on the POWDER platform

Dustin Maas (dmaas@cs.utah.edu)

11/9/2022

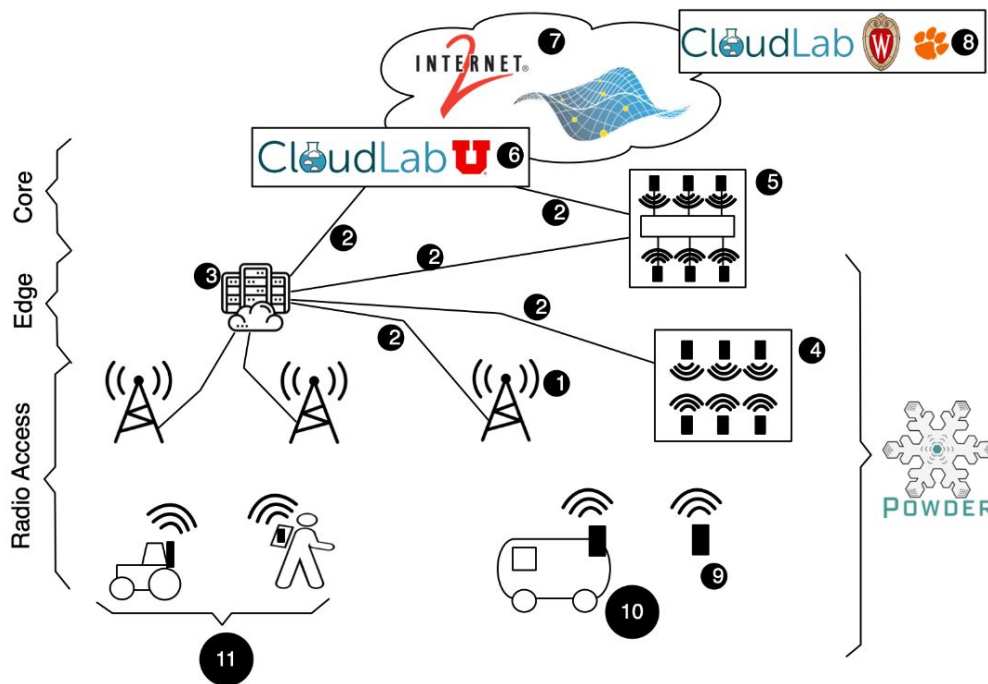


**Platforms for Advanced
Wireless Research**





POWDER Overview: Radio, Edge, Core



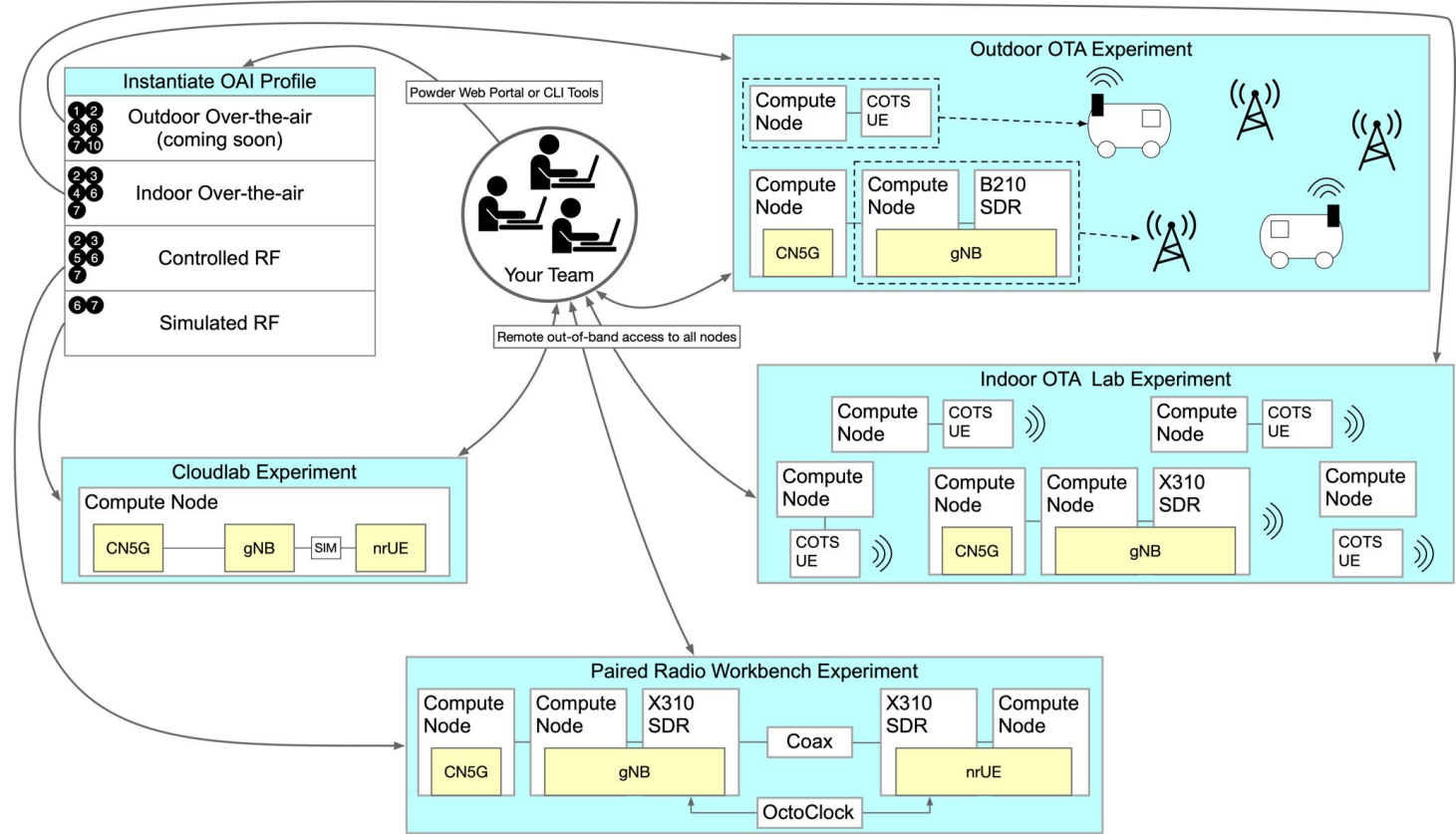
- Flexible “city scale” research infrastructure
- End-to-end software-defined
- Software and hardware “building blocks”
- Sophisticated experimental workflow
- Remotely accessible
- BYOD/BYOS capability
- FCC innovation zone

Highly flexible lab-as-a-service

- (1) Basestation, (2) Fiber front/backhaul, (3) Near Edge Compute, (4) Indoor OTA Lab, (5) Controlled RF Lab, (6) Edge/Metro Compute, (7) WAN connectivity, (8) Remote cloud, (9) Fixed Endpoint, (10) Predictable courier w/ endpoint, (11) Other courier w/endpoint



OpenAirInterface5G on POWDER



Transition smoothly from simulated RF to controlled RF to over-the-air transmission within the same platform.